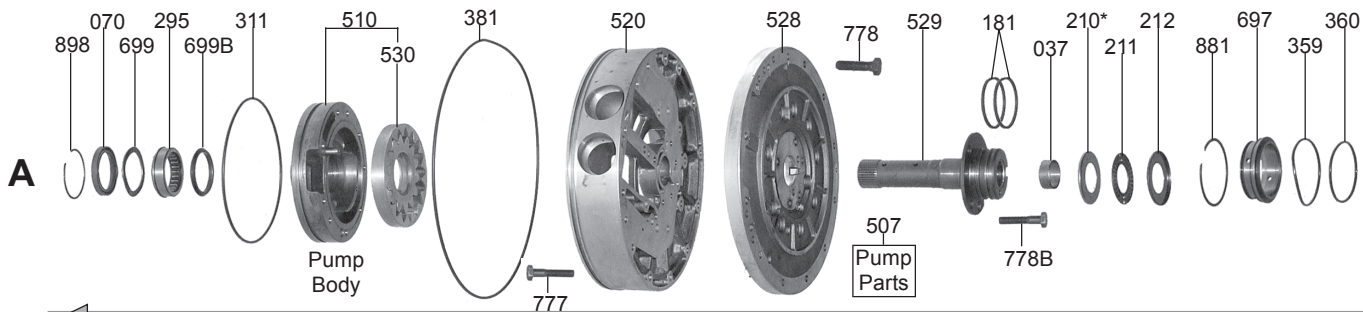


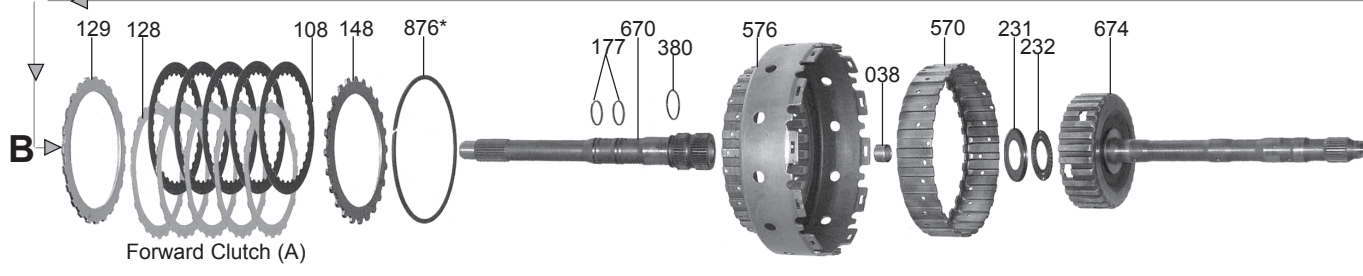
ZF5HP30

RWD 5 Speed

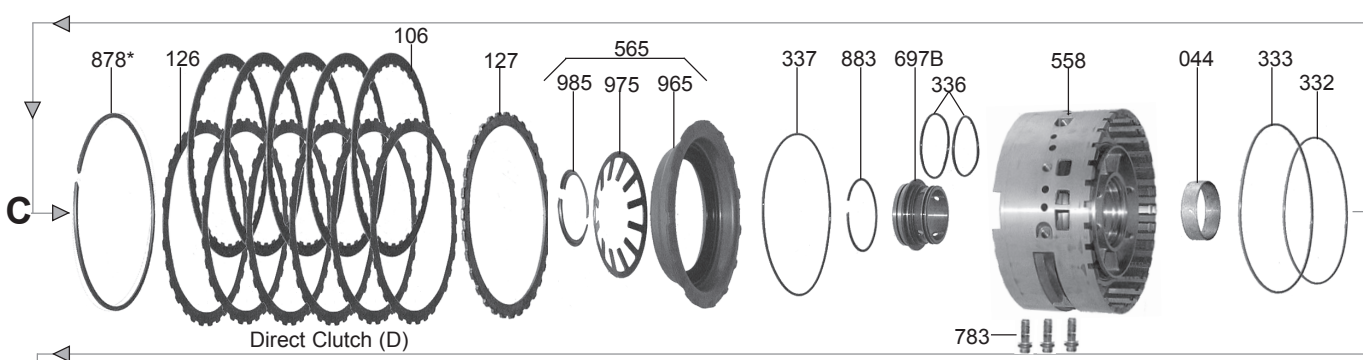
ZF



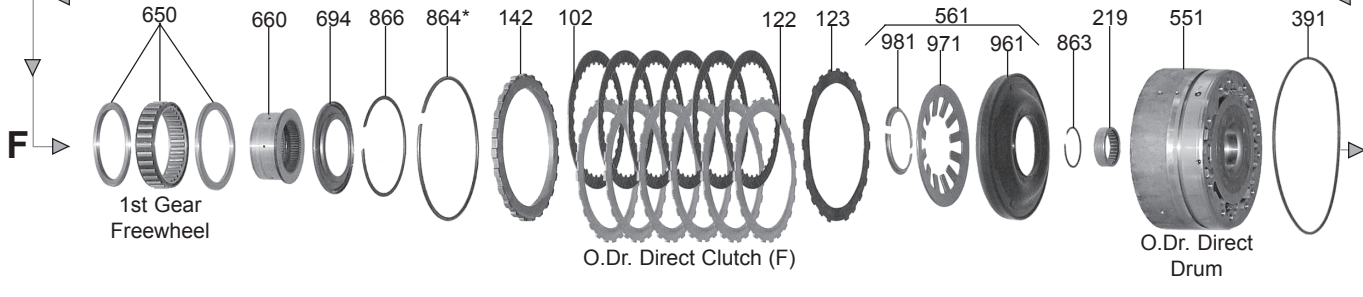
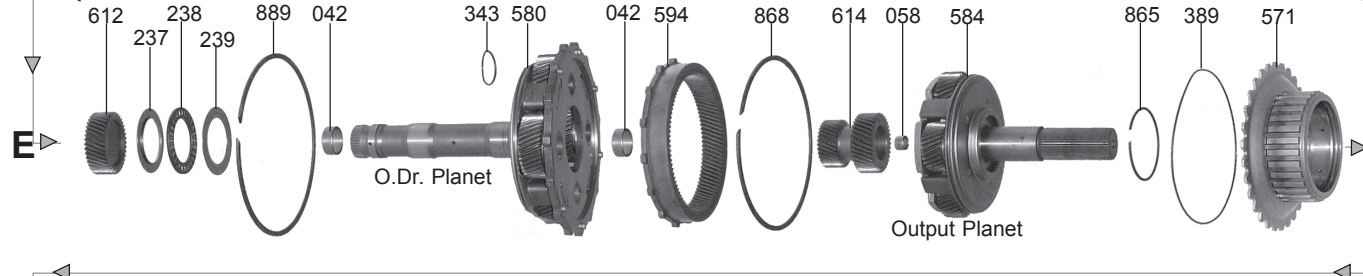
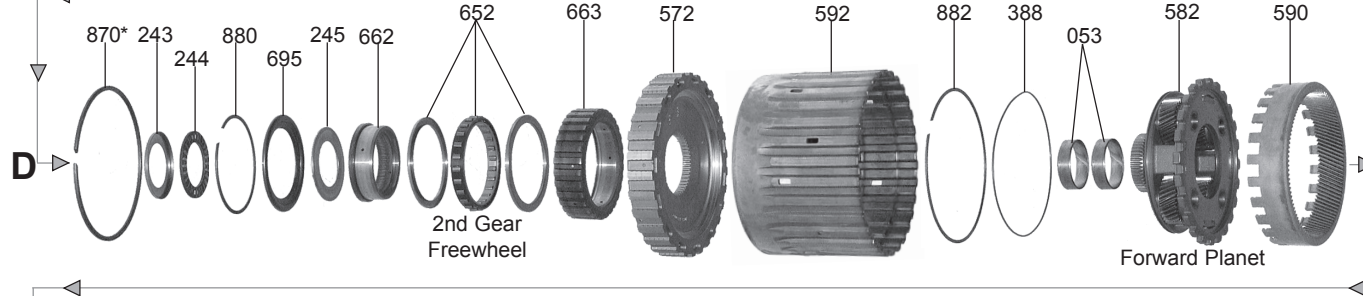
- 000 Paper & Rubber Kit
- 002 Overhaul Kit
- 004 Master L/Steels Kit



- 006 Master W/Steels Kit
- 030 Bushing Kit
- 119 Friction Module



- 139 Steel Module
- 175 Ring Kit
- 400 Tech Manual



- O.Dr. Direct Drum

RWD 5 Speed

ZF5HP30

ZF

A

B

C

D

E

F

